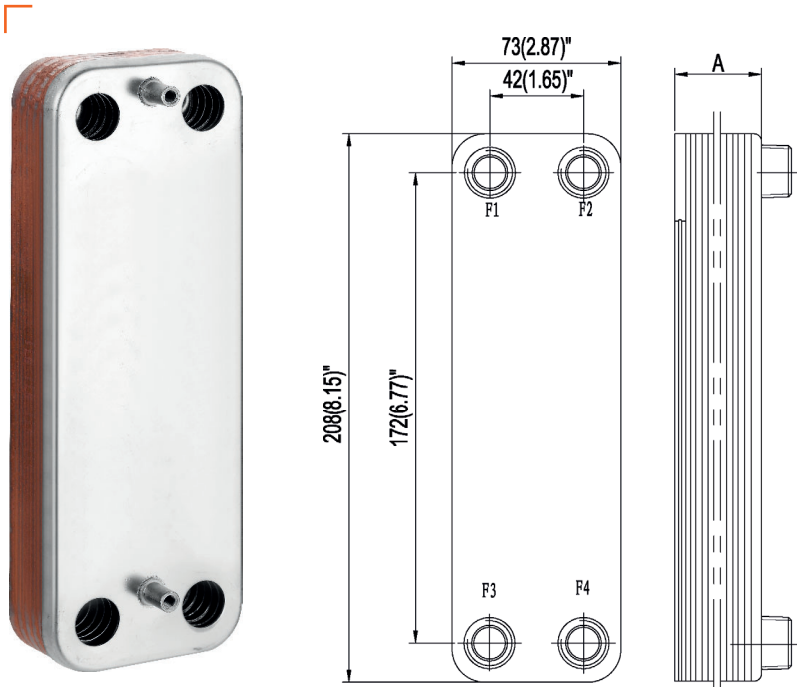


HEAT EXCHANGERS

B3-14C Series Brazed Plate Heat Exchanger



Specification:

- Maximum plate number : 60 pcs
- Max. flow rate: 4m³/h (18GPM)
- Thickness of one plate: 0.3mm (0.012inches)
- Unit heat exchanger area: 0.014m² (0.15sq.ft)
- Maximum pressure: 1.5Mpa or 3.0Mpa
- Test pressure: 300psi or 450psi
- Volume per channel: 0.022 L/channel
- Soldering material: 99.9% copper or nickel
- Material: 316 or 304 Stainless Steel
- Operating temperature:
-50°F +250°F -250°C to 220°C

Connections:

Threaded connector: ½", ¾" M or F NPT
Soldered connector: ⅜" or ½"

Available Sizes

Model Number	Total Heat Area		A		Weight		Volume	
	m ²	sq.ft	mm	Inch	Kg	lbs	L	US Gal
B3-14C-10	0.11	1.21	27.00	1.06	0.88	1.94	0.20	0.05
B3-14C-12	0.14	1.51	32.00	1.26	0.98	2.16	0.24	0.06
B3-14C-14	0.17	1.81	36.00	1.42	1.07	2.36	0.29	0.08
B3-14C-16	0.20	2.11	41.00	1.61	1.17	2.58	0.33	0.09
B3-14C-18	0.22	2.41	45.00	1.77	1.26	2.78	0.37	0.10
B3-14C-20	0.25	2.71	50.00	1.97	1.36	3.00	0.42	0.11
B3-14C-26	0.34	3.62	63.00	2.48	1.65	3.64	0.55	0.15
B3-14C-30	0.39	4.22	72.00	2.83	1.84	4.06	0.64	0.17
B3-14C-36	0.48	5.12	85.00	3.35	2.13	4.70	0.77	0.20
B3-14C-40	0.53	5.73	94.00	3.70	2.32	5.11	0.86	0.23
B3-14C-46	0.62	6.63	108.00	4.25	2.61	5.75	0.99	0.26
B3-14C-50	0.67	7.23	117.00	4.61	2.80	6.17	1.08	0.28
B3-14C-56	0.76	8.14	130.00	5.12	3.09	6.81	1.21	0.32
B3-14C-60	0.81	8.74	139.00	5.47	3.28	7.23	1.30	0.34