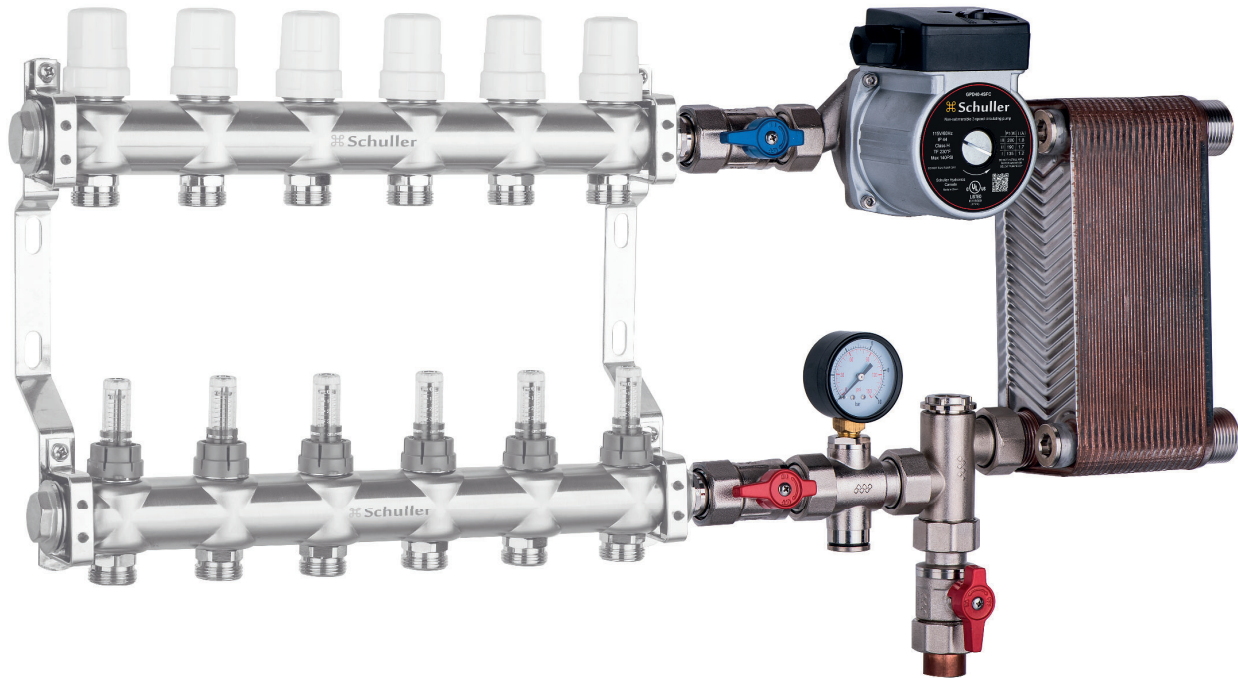


B3-16A Series Heat Exchanger Module

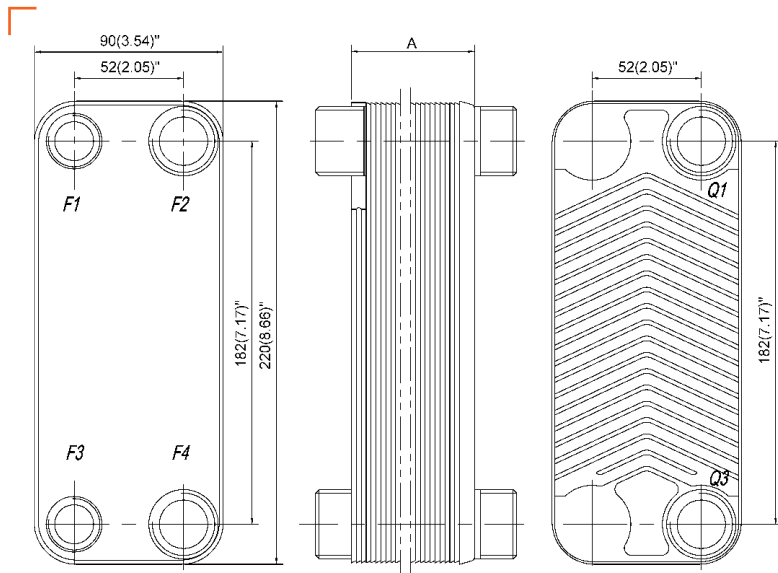
A small footprint Water/Water or Water/Propylene Glycol Solution heat exchanger.

- Eliminate the need for piping on the manifold side with easy to connect circulator pump fittings.
- Lines up perfectly with Schuller 1" trunk manifolds from 2-12 loop sizes (sold separately)

Included are:

- B3-16A heat exchanger
- Schuller GPD20-6S circulator pump
- All connection hardware

HEAT EXCHANGERS



- Maximum plate number : 100 pcs
- Max. flow rate: 4 m³/h (17.6 GPM)
- Flow direction: Parallel
- Thickness of one plate: 0.4 mm (0.016 inches)
- Unit heat exchanger area: 0.115 m² (1.24 sq.ft)
- Maximum pressure: 1.0 Mpa (150 psi)
- Test pressure: 2.0 Mpa (300 psi)
- Volume per channel: 0.029 L/channel
- Soldering material: 99.9% copper
- Material: 304 Stainless Steel
- Operating temperature:
-50°F +250°F -250°C to 220°C

Available Sizes

Model Number	Total Heat Area		A		Weight		Volume	
	m ²	sq.ft	mm	Inch	Kg	lbs	L	US Gal
B3-16-A-10	0.13	1.38	27	1.06	1.7	3.75	0.26	0.07
B3-16-A-12	0.16	1.72	32	1.26	1.82	4.01	0.32	0.08
B3-16-A-14	0.19	2.06	36	1.42	1.94	4.28	0.38	1.10
B3-16-A-16	0.22	2.41	41	1.61	2.06	4.54	0.43	0.11
B3-16-A-18	0.26	2.75	45	1.77	2.18	4.81	0.49	0.13
B3-16-A-20	0.29	3.10	50	1.97	2.30	5.07	0.55	0.15
B3-16-A-26	0.38	4.13	63	2.48	2.66	5.86	0.72	0.19
B3-16-A-30	0.45	4.82	72	2.83	2.90	6.39	0.84	0.22
B3-16-A-36	0.54	5.86	85	3.35	3.26	7.19	1.01	0.27
B3-16-A-40	0.60	6.54	94	3.70	3.50	7.72	1.13	0.30
B3-16-A-46	0.70	7.58	108	4.25	3.86	8.51	1.30	0.34
B3-16-A-50	0.77	8.27	117	4.61	4.10	9.04	1.42	0.37
B3-16-A-56	0.86	9.30	130	5.12	4.46	9.83	1.60	0.42
B3-16-A-60	0.93	9.99	139	5.47	4.70	10.36	1.71	0.45
B3-16-A-80	1.25	13.43	186	7.33	5.90	13.01	2.08	0.55
B3-16-A-100	1.56	16.88	231	9.09	7.10	15.56	2.61	0.69