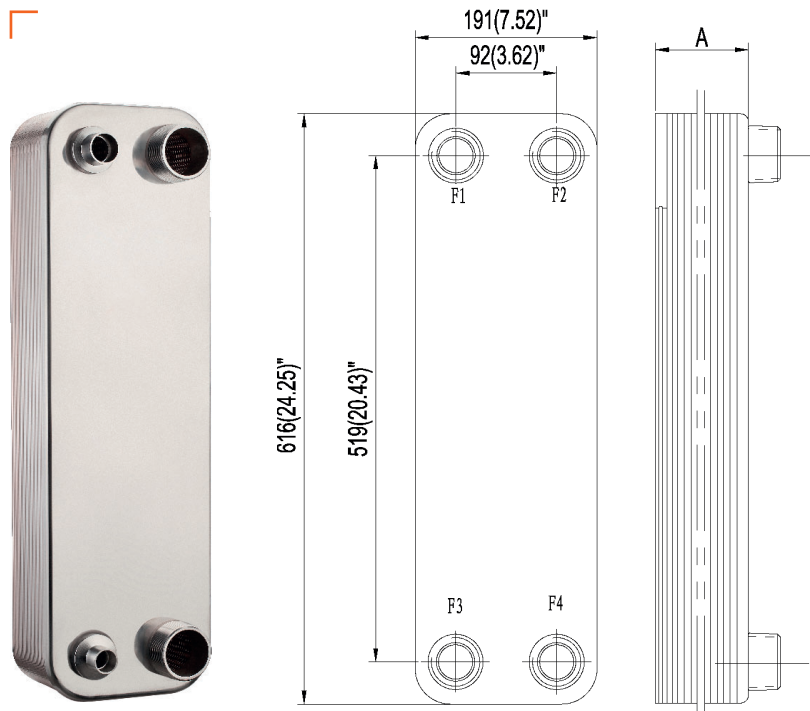


HEAT EXCHANGERS

B3-95A Series Brazed Plate Heat Exchangers



Specification:

- Maximum plate number : 200 pcs
- Max. flow rate: 35 m³/h (154 GPM)
- Thickness of one plate: 0.4 mm (0.016 inches)
- Unit heat exchanger area: 0.095 m² (1.02 sq.ft)
- Maximum pressure: 3.0 Mpa 435 psi
- Test pressure: 6.2 Mpa (900 psi)
- Volume per channel: 0.25 L/channel
- Soldering material: 99.9% copper
- Material: 316 or 304 Stainless Steel
- Operating temperature:
-50°F +250°F -250°C to 220°C

Connections:

Threaded connector: ½", ¾", 1, 1-¼", 1-½"
or 2" M or F NPT

Available Sizes

Model Number	Total Heat Area		A		Weight		Volume	
	m ²	sq.ft	mm	Inch	Kg	lbs	L	US Gal
B3-95A-20	1.71	18.41	53.00	2.09	16.21	35.74	4.75	1.25
B3-95A-30	2.66	28.63	77.00	3.03	20.41	45.00	7.25	1.92
B3-95A-40	3.61	38.86	101.00	3.98	24.61	54.26	9.75	2.58
B3-95A-50	4.56	49.08	125.00	4.92	28.81	63.52	12.25	3.24
B3-95A-60	5.51	59.31	149.00	5.87	33.01	72.77	14.75	3.90
B3-95A-70	6.46	69.53	173.00	6.81	37.21	82.03	17.25	4.56
B3-95A-80	7.41	79.76	197.00	7.76	41.41	91.29	19.75	5.22
B3-95A-90	8.36	89.99	221.00	8.70	45.61	100.55	22.25	5.88
B3-95A-100	9.31	100.21	245.00	9.65	49.81	109.81	24.75	6.54
B3-95A-120	11.21	120.66	293.00	11.54	58.21	128.33	29.75	7.86
B3-95A-140	13.11	141.11	341.00	13.43	66.61	146.85	34.75	9.18
B3-95A-160	15.01	161.57	389.00	15.31	75.01	165.37	39.75	10.50
B3-95A-180	16.91	182.02	437.00	17.20	83.41	183.89	44.75	11.82
B3-95A-200	18.81	202.47	485.00	19.09	91.81	202.41	49.75	13.14