

CIRCULATING PUMPS



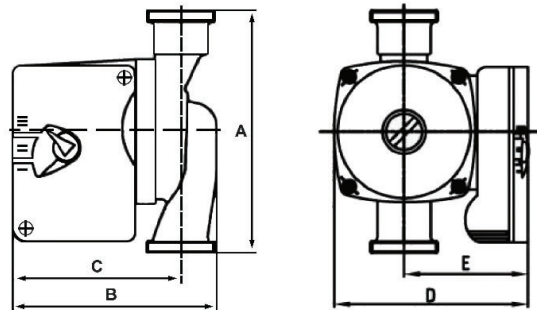
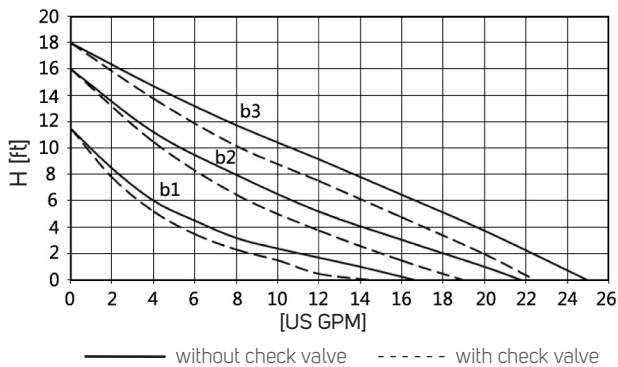
Schuller GPD 15-5.5 SNUC Stainless Steel Circulator

10' of power cable included
 Motor: 2-pole single phase 115 VAC 60 Hz asynchronous squirrel-cage PSC
 Stator and rotor: stainless steel shielded wet
 Capacitor: 10 uf/250V
 Body Material: 304 Stainless Steel
 Pumped liquid temperature: 32°F -230°F (0°C - 110°C)
 Max pressure: 145psi (1MPa)
 Max flow: 25 gpm
 Max head 18 ft

Data Sheet

Model	Volts	Amps at High/ Med/Low Speeds	Watts at High/ Med/Low Speeds	System	Grundfos Equivalent
GPD15-5.5SNUC	115 V	0.74/0.6/0.44	85/60/40	Open	UPS 15-55 SFC

Liquid Temperature	≥185°F (85°C)	≥194°F (90°C)	≥230°F (110°C)
Inlet Pressure	2 ft (0.6m) Head	10 ft (3m) Head	33 ft (10m) Head
	0.7 psi (0.05 bar)	4 psi (0.28 bar)	14.5 psi (1 bar)



Model	A	B	C	D	E	Connection	Shipping Weight
GPD15-5.5SNUC	5 7/8"	5"	4 1/8"	4 3/4"	3"	GU 125 (1-1/4")	5.4 lbs