



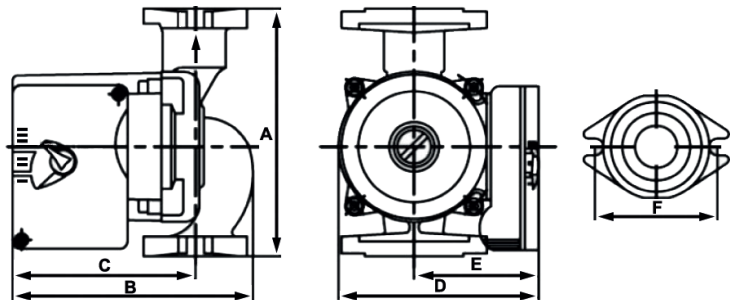
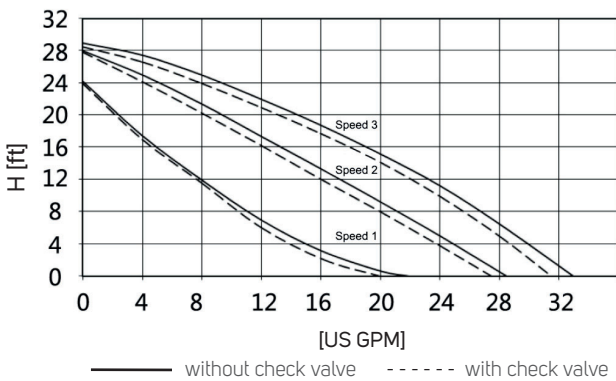
Schuller GPD25-10SFCN Stainless Steel Circulator

10' of power cable included
 Motor: 2-pole single phase 115 VAC 60 Hz asynchronous squirrel-cage PSC
 Strator and rotor: stainless steel shielded wet
 Capacitor: 20 uf/200V
 Body Material: 304 Stainless Steel
 Pumped liquid temperature: 32°F -230°F (0°C - 110°C)
 Max pressure: 145psi (1MPa)
 Max flow: 32 gpm
 Max head 30 ft

Data Sheet

Model	Volts	Amps at High/Med/Low Speeds	Watts at High/Med/Low Speeds	System	Grundfos Equivalent
GPD25-10SFCN	115 V	1.8/0.7/1.2	200/190/135	Open	UPS 29-99 BFC

Liquid Temperature	≥185°F (85°C)	≥194°F (90°C)	≥230°F (110°C)
Inlet Pressure	2 ft (0.6m) Head	10 ft (3m) Head	33 ft (10m) Head
	0.7 psi (0.05 bar)	4 psi (0.28 bar)	14.5 psi (1 bar)



Model	A	B	C	D	E	F - Connection	Shipping Weight
GPD25-10SFCN	6 1/2"	6"	4 3/4"	5 5/16"	3 1/4"	3 5/32" - F25 flange	11.25 lbs